

Description

This module provides the biggest integration. Internal integration isolation transformer, loop resistance, protection circuit and RTS transmit-receive circuit, without any special auxiliary devices, also do not need to debug the RTS signal, the combination of form a complete set of HART procedures, can be the fastest speed to complete development.

Features

- High integration : isolation transformer, 270Ω loop resistance, protection circuit and RTS transmit-receive circuit.
- Footprint : 2.54mm stamps holes , SMT
- Small Size : 25mm x 25mm x 5.4mm
- Operating Voltage : 3.0 V~3.3V
- Working Current : 5mA
- Environment Temperature : -40°C ~ +85°C
- Isolation Voltage : 1500V

Pinouts

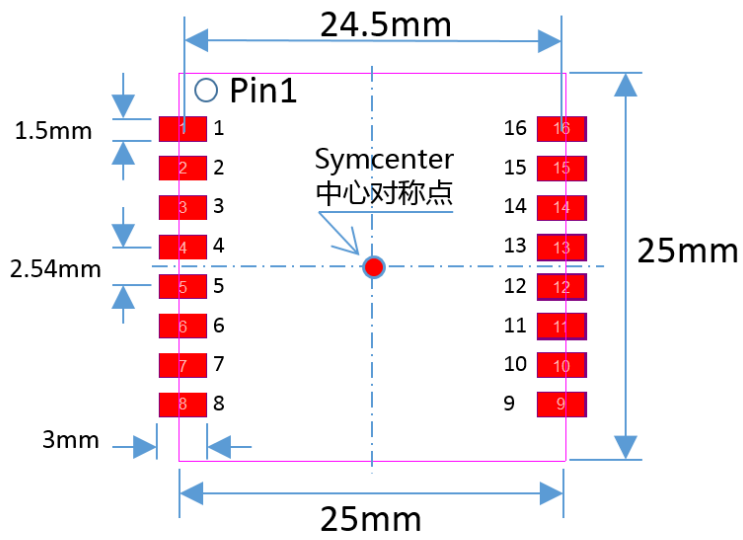
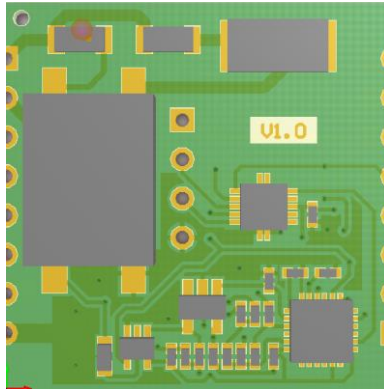
1	HART_1	NC	16
2	HART_2	NC	15
3	NC	3.3V	14
4	NC	RX	13
5	NC	TX	12
6	NC	NC	11
7	NC	NC	10
8	GND	GND	9

引脚	名称	方向	说明
1	HART_1		HART Signal
2	HART_2		HART Signal
3-7	NC		No Connection
8-9	GND		Digital Ground
10-11	NC		No Connection
12	TX	Input	Connect to UART TX of MCU.
13	RX	Output	Connect to UART RX of MCU.
14	3.3V		3.3V Power
15-16	NC		No Connection

Footprint

25mm

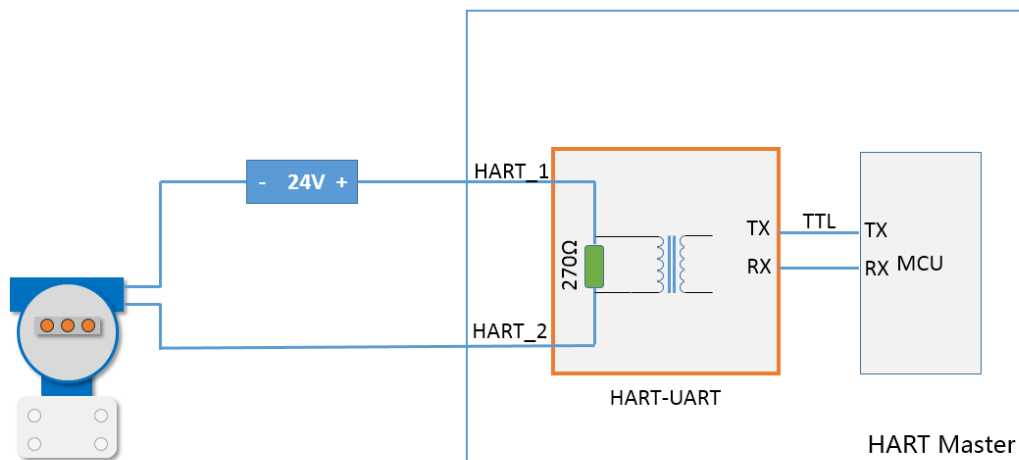
25mm



• Recommended PCB Size

- 25mm x 25mm x 5.4mm

Reference Circuit



- Not to distinguish the polarity HART pin.
- TX connect to TX of mcu
- The TX RX is UART TTL, not RS232.

Support

Phone : +86 13681860506

Email : zhouziwei@woyatech.com